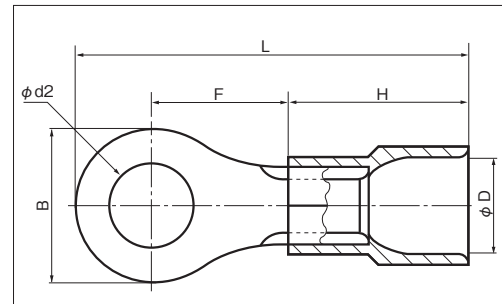
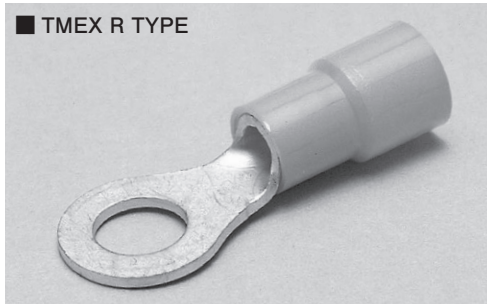


ENVIRONMENTALLY FRIENDLY INSULATED TERMINALS (R TYPE)



B

RoHS10
See page 2

PART NUMBER	DIMENSIONS mm						WIRE RANGE		TOOL No.		STD COLOR	STD QTY/BOX
	φ d2	B	L	F	H	φ D	STRANDED mm ²	AWG	HAND TOOL No.			
									TOOL BODY No.	DIES No.		
TME 3.5-4S	4.3	7.0	25.5	8.0	14.0	6.3	2.63 } 4.6	12	NH 13		YELLOW	50
TME 3.5-4 ○		8.0	26.0									
TME 3.5-5N ※		8.0	26.0									
TME 3.5-5S ○	5.3	9.6	28.0	9.2	14.0	6.3	2.63 } 4.6	12	NH 13		YELLOW	50
TME 3.5-5L ○		12.0	29.4	9.4								
TME 3.5-6	6.4	9.6	28.0	9.2	14.0	6.3	2.63 } 4.6	12	NH 13		YELLOW	50
TME 3.5-6L ○		12.0	29.4	9.4								
TME 3.5-8 ○	8.4	13.5	33.5	12.7	14.0	6.3	2.63 } 4.6	12	NA 10 NA 3	N10 13 N3 13	YELLOW	50
TME 5.5-3M ※ ○	3.2	6.5	24.4	7.2	14.0	6.8	2.63 } 6.64	12-10	NH 13		YELLOW	50
TME 5.5-3N ※ ○		7.0	24.7									
TME 5.5-3S ※ ○		9.0	25.7									
TME 5.5-3.5N ※ ○	3.7	7.0	24.7	7.2	14.0	6.8	2.63 } 6.64	12-10	NH 13		YELLOW	50
TME 5.5-3.5S ※ ○		9.0	25.7									
TME 5.5-3.5 ○	4.3	9.5	27.0	8.2	14.0	6.8	2.63 } 6.64	12-10	NH 13		YELLOW	50
TME 5.5-4N ※ ○		7.0	24.7	7.2								
TME 5.5-4S ※ ○	4.3	9.0	25.7	7.2	14.0	6.8	2.63 } 6.64	12-10	NH 13		YELLOW	50
TME 5.5-4 (RBD 5.5-4) ●		9.5	27.0						8.2			
TME 5.5-5N ※ ○	5.3	8.0	25.2	7.2	14.0	6.8	2.63 } 6.64	12-10	NH 13		YELLOW	50
TME 5.5-5S ※ ○		9.0	25.7									
TME 5.5-5 (RBD 5.5-5) ●	6.4	9.5	27.0	8.2	14.0	6.8	2.63 } 6.64	12-10	NH 13		YELLOW	50
TME 5.5-6S ※		9.0	30.5	12.0								
TME 5.5-6 (RBD 5.5-6) ●	6.4	12.0	30.5	10.5	14.0	6.8	2.63 } 6.64	12-10	NH 13		YELLOW	50
TME 5.5-8S ※		13.2	29.6	9.0								
TME 5.5-8 (RBD 5.5-8) ●	8.4	15.0	35.5	14.0	14.0	6.8	2.63 } 6.64	12-10	NH 13		YELLOW	50
TME 5.5-10 (RBD 5.5-10) ●	10.5	15.0	35.5	14.0								
TME 5.5-12 ○	13.0	19.2	40.0	16.4	14.0	6.8	2.63 } 6.64	12-10	NA 10 NA 3	N10 13 N3 13	YELLOW	25
TME 5.5-14 ○	15.0	22.0	43.0	18.0								

NOTE

- : UL · C-UL
- Please refer to page 41 for proper strip length of wire
- Transparent insulator is also available.
- ※Specification is partly different from other ring terminals.

FEATURES

- Excellent for insulation with Rated Voltage of 600V
- Temperature range: -40°C ~ 125°C
- Its polycarbonate material will not generate poisonous halogenic gas and/or corrosive gas when combusted.
- RoHS SOC 10 Compliant.
- 2 Standard colors available for each size:
1.25mm²(red & clear)·2mm²(blue & clear)·5.5mm²(yellow & clear)