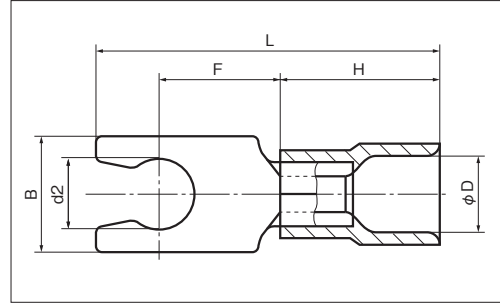
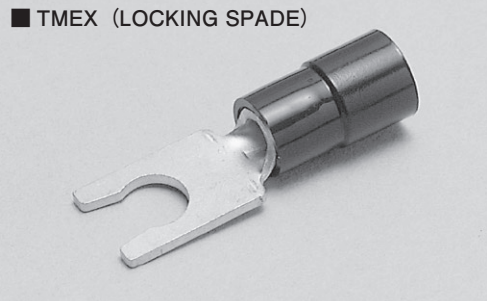


INSULATED PIN TERMINALS (TC TYPE)

TGV
TGWV : Vinyl
TMEV



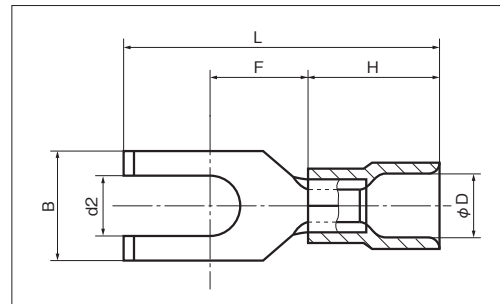
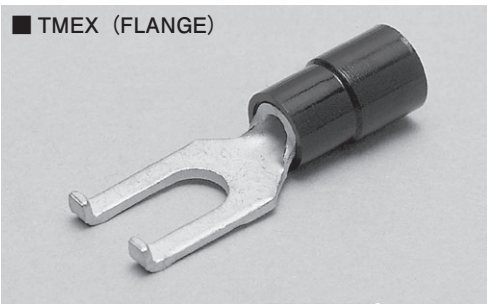
RoHS10
See page 2

B

PART NUMBER	DIMENSIONS mm						WIRE RANGE		TOOL No.		STD COLOR	STD QTY/BOX
	d2	B	L	F	H	φD	STRANDED mm ²	AWG	HAND TOOL No.			
									TOOL BODY No.	DIES No.		
TMEV 1.25LY-3S ○	3.2	6.4	19.5	6.6	10.0	4.1	0.3 } 1.65	22-16	NH 11		RED	1,000 (100×10)
TMEV 1.25LY-3.5S ○	3.7								NH 32			
TMEV 1.25LY-4S ○	4.3								NA 10	N10 11		
TMEV 1.25LY-5S ○	5.3	8.4	22.5	8.5					NA 3	N3 11		
TMEV 2LY-3S ○	3.2	6.4	19.5	6.6	10.0	4.6	1.04 } 2.63	16-14	NH 12		BLUE	1,000 (100×10)
TMEV 2LY-3.5S ○	3.7								NH 32			
TMEV 2LY-4S ○	4.3								NA 10	N10 12		
TMEV 2LY-5S ○	5.3	8.4	22.5	8.5					NA 3	N3 12		
TMEV 5.5LY-3.5S ○	3.7	7.9	25.7	7.6	14.0	6.8	2.63 } 6.64	12-10	NH 13		YELLOW	50
TMEV 5.5LY-4S ○	4.3								NH 32			
TMEV 5.5LY-5S ○	5.3								NA 10	N10 13		
									NA 3	N3 13		

NOTE

- : UL · C-UL
- Refer to page 41 for UL/CSA, insulator material/color, proper strip length of wire and Nylon insulated products.
- TMD & TMDEN Type are also available, see page 42.



RoHS10
See page 2

PART NUMBER	DIMENSIONS mm						WIRE RANGE		TOOL No.		STD COLOR	STD QTY/BOX
	d2	B	L	F	H	φD	STRANDED mm ²	AWG	HAND TOOL No.			
									TOOL BODY No.	DIES No.		
TMEV 1.25Y-3W ○	3.7	7.7	19.5	5.6	10.0	4.1	0.3~1.65	22-16	NH 11		RED	1,000 (100×10)
TMEV 1.25Y-4W ○	4.3								NH 32			
TMEV 1.25Y-5W ○	5.3								NA 10	N10 11		
TMEV 2Y-3W ○	3.7	8.0	24.0	7.3	10.0	4.6	1.04 } 2.63	16-14	NH 12		BLUE	1,000 (100×10)
TMEV 2Y-4W ○	4.3								NH 32			
TMEV 2Y-5W ○	5.3								NA 10	N10 12		
									NA 3	N3 12		

NOTE

- : UL · C-UL
- Refer to page 41 for UL/CSA, insulator material/color, proper strip length of wire.
- TMDEN Type is also available, see page 42.

