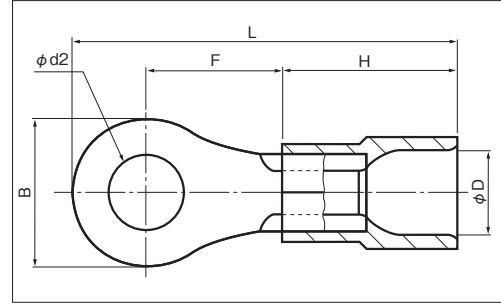


# ENVIRONMENTALLY FRIENDLY INSULATED TERMINALS (R TYPE)

■ TMEX R TYPE



RoHS10  
See page 2

B

PART NUMBER	DIMENSIONS mm						WIRE RANGE		TOOL No.		STD COLOR	STD QTY/BOX
	φ d2	B	L	F	H	φ D	STRANDED mm <sup>2</sup>	AWG	HAND TOOL No.			
									TOOL BODY No.	DIES No.		
TMEX 0.3-2 ○	2.2	5.2	17.5	4.9	10.0	2.8	0.2-0.5	24-20	NH 5		YELLOW	1,000 (100×10)
TMEX 0.3-3 ○	3.2		17.5	4.9					NH 32			
TMEX 0.3-3N ○			19.8	7.2					NA 10	N10 10		
TMEX 0.3-3.5 ○	3.7	6.6	20.5	7.2	10.0	4.1	0.3 ∩ 1.65	22-16	NH 11		RED	1,000 (100×10)
TMEX 0.3-4 ○	4.3	6.6	20.5	7.2					NH 32			
TMEX 0.3-5 ○	5.3	8.0	21.0	7.0					NA 10	N3 5		
TMEX 1.25-2 ○	2.2	5.5	17.5	4.7	10.0	4.1	0.3 ∩ 1.65	22-16	NH 11		RED	1,000 (100×10)
TMEX 1.25-2S ○	3.2	5.7	17.4	4.5					NH 32			
TMEX 1.25-3(RBD 1.25-3) ●		5.5	17.5	4.7					NA 10	N3 11		
TMEX 1.25-3N ○	3.7	5.6	20.4	7.6	10.0	4.6	1.04 ∩ 2.63	16-14	NH 12		BLUE	1,000 (100×10)
TMEX 1.25-3S ○		5.7	17.4	4.5					NH 32			
TMEX 1.25-3.5N ○	4.3	5.6	20.4	7.6					NA 10	N3 11		
TMEX 1.25-3.5S ○		5.7	17.4	4.5	NH 32							
TMEX 1.25-3.5N ○	5.3	5.6	20.4	7.6	10.0	4.6	1.04 ∩ 2.63	16-14	NH 12		BLUE	1,000 (100×10)
TMEX 1.25-3.5S ○		5.7	17.4	4.5					NH 32			
TMEX 1.25-3.5(RBD 1.25-3.5) ●	6.6	18.8	5.5	NA 10					N3 11			
TMEX 1.25-3.5M ○	6.4	6.8	19.4	6.0	10.0	4.6	1.04 ∩ 2.63	16-14	NH 12		BLUE	1,000 (100×10)
TMEX 1.25-3.5L ○		8.0	21.1	7.1					NH 32			
TMEX 1.25-4S ○	8.4	6.6	18.8	5.5					NA 10	N3 11		
TMEX 1.25-4M ○	8.4	6.8	19.4	6.0	10.0	4.6	1.04 ∩ 2.63	16-14	NH 12		BLUE	1,000 (100×10)
TMEX 1.25-4(RBD 1.25-4) ●		8.0	21.1	7.1					NH 32			
TMEX 1.25-5(RBD 1.25-5) ●	5.3	8.0	21.1	7.1					NA 10	N3 11		
TMEX 1.25-6 ○	6.4	12.0	25.7	9.7	10.0	4.6	1.04 ∩ 2.63	16-14	NH 12		BLUE	1,000 (100×10)
TMEX 1.25-8 ○	10.5	16.5	30.5	12.2					NH 32			
TMEX 1.25-10 ○		10.5	16.5	30.5					12.2	NA 10		
TMEX 2-2 ○	2.2	6.5	18.2	4.9	10.0	4.6	1.04 ∩ 2.63	16-14	NH 12		BLUE	1,000 (100×10)
TMEX 2-3N ○	3.2	5.6	20.4	7.6					NH 32			
TMEX 2-3S ○		5.7	17.8	4.9					NA 10	N3 11		
TMEX 2-3 ○	3.7	6.5	18.2	4.9	10.0	4.6	1.04 ∩ 2.63	16-14	NH 12		BLUE	1,000 (100×10)
TMEX 2-3.5N ○		5.6	20.4	7.6					NH 32			
TMEX 2-3.5NS ○	6.6	19.9	6.6	NA 10					N3 11			
TMEX 2-3.5(RBD 2-3.5) ●	4.3	6.6	20.9	7.6	10.0	4.6	1.04 ∩ 2.63	16-14	NH 12		BLUE	1,000 (100×10)
TMEX 2-3.5S ○		6.6	20.9	7.6					NH 32			
TMEX 2-3.5M ○	8.0	21.5	7.5	NA 10					N3 11			
TMEX 2-4S ○	5.3	6.6	19.9	6.6	10.0	4.6	1.04 ∩ 2.63	16-14	NH 12		BLUE	1,000 (100×10)
TMEX 2-4M ○		8.0	21.5	7.5					NH 32			
TMEX 2-4(RBD 2-4) ●	8.5	22.0	7.7	NA 10					N3 11			
TMEX 2-5M ○	6.4	8.0	21.5	7.5	10.0	4.6	1.04 ∩ 2.63	16-14	NH 12		BLUE	1,000 (100×10)
TMEX 2-5(RBD 2-5) ●		9.5	22.5	7.7					NH 32			
TMEX 2-6(RBD 2-6) ●	6.4	12.0	27.0	11.0					NA 10	N3 11		
TMEX 2-8(RBD 2-8) ●	8.4	15.0	30.0	12.5	10.0	4.6	1.04 ∩ 2.63	16-14	NH 12		BLUE	500 (50×10)
TMEX 2-10 ○	10.5	15.0	30.0	12.5					NH 32			
TMEX 2-12 ○	13.0	19.0	34.0	14.5	10.5	4.6	1.04 ∩ 2.63	16-14	NA 10	N3 12	500 (50×10)	

NOTE

- : UL · C-UL
- Please refer to page 41 for proper strip length of wire
- Transparent insulator is also available.