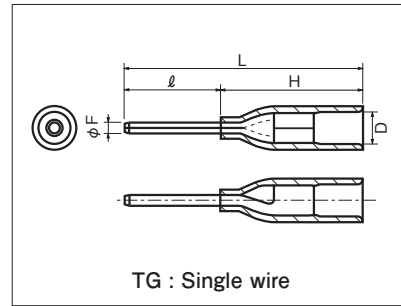


INSULATED PIN TERMINALS (TC TYPE) **TMEN** : Nylon **TGN**

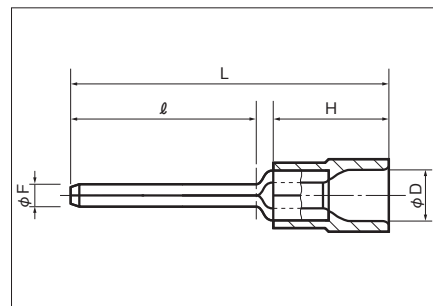
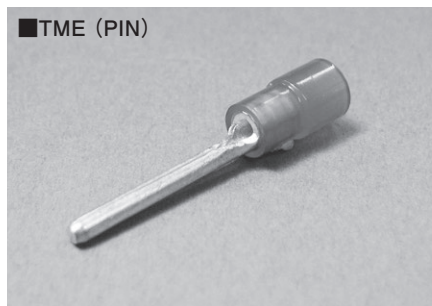
■ TGT Pin is in line with the center of the barrel.



RoHS10
See page 2

Rated voltage 300V Rated current 17A

PART NUMBER	DIMENSIONS mm					WIRE RANGE		TOOL No.		STD COLOR	STD QTY/BOX
	φF	ℓ	L	H	D	STRANDED mm ²	AWG	HAND TOOL No.			
								TOOL BODY No.	DIES No.		
TGN TC-1.25-9T	1.1	9.0	25.0	16.0	φ3.6	0.3~1.65	22-16	(NH 11 / NH 32) NH 65B		TRANSPARENT	100
TGN TC-1.25-11T		11.0	27.0					NA 3 NA 10	N3 11T N10 11		100 1,000



RoHS10 See page 2
RoHS10 Yellow Nylon See page 2

Non stock item

PART NUMBER	DIMENSIONS mm					WIRE RANGE		TOOL No.		STD COLOR	STD QTY/BOX
	φF	ℓ	L	H	φD	STRANDED mm ²	AWG	HAND TOOL No.			
								TOOL BODY No.	DIES No.		
TMEN TC-0.3-9.5 ○	1.0	9.5	20.8	10.0	2.8	0.2~0.5 0.3~0.5 UL·CSA USE	24-20 22-20 UL·CSA USE	NH 5 NH 32 NA 10 NA 3	N10 10 N3 5	YELLOW TRANSLUCENT	1,000 (100×10)
TMEN TC-1.25-11 ○	1.9	11.0	23.0	10.0	4.1	0.3 1.65	22-16	NH 11 NH 32		RED TRANSLUCENT	1,000 (100×10)
TMEN TC-1.25-11S ○	1.5										
TMEN TC-1.25-16 ○	1.9	16.0	27.5	10.0	4.6	1.04 2.63	16-14	NH 12 NH 32		BLUE TRANSLUCENT	1,000 (100×10)
TMEN TC-1.25-16S ○	1.5										
TMEN TC-1.25-20 ○	1.9	20.0	31.5	10.0	6.3	2.63 4.6	12	NH 13 NH 32		YELLOW TRANSLUCENT	100
TMEN TC-1.25-20S ○	1.5										
TMEN TC-2-11 ○	1.9	11.0	23.0	10.0	6.8	2.63 6.64	12-10	NH 13 NH 32		YELLOW TRANSLUCENT	100
TMEN TC-2-11S ○	1.5										
TMEN TC-2-16 ○	1.9	16.0	27.5	10.0	6.3	2.63 4.6	12	NH 13 NH 32		YELLOW TRANSLUCENT	100
TMEN TC-2-16S ○	1.5										
TMEN TC-2-20 ○	1.9	20.0	31.5	10.0	6.8	2.63 6.64	12-10	NH 13 NH 32		YELLOW TRANSLUCENT	100
TMEN TC-2-20S ○	1.5										
TMEN TC-3.5-11S ○	1.9	11.0	29.0	14.0	6.3	2.63 4.6	12	NA 10 NA 3	N10 13 N3 13	YELLOW TRANSLUCENT	100
TMEN TC-5.5-11 ○	2.7	11.0	28.5	14.0	6.8	2.63 6.64	12-10	NA 10 NA 3	N10 13 N3 13	YELLOW TRANSLUCENT	100

NOTE 1) ○ : UL/CSA △ : UL

2) Please refer to page 41 for UL/CSA, insulator material/color, proper strip length of wire and Nylon insulated products.