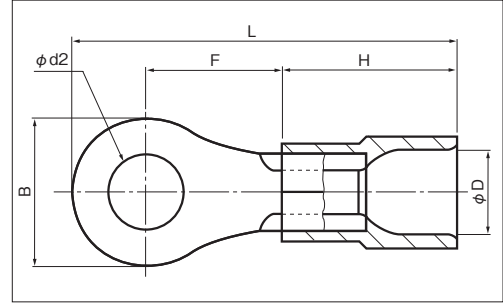
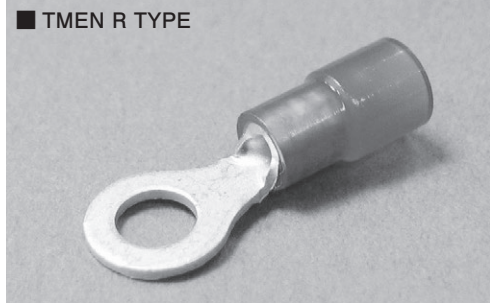


INSULATED RING TERMINALS (R TYPE) TMEN : Nylon

JIS C 2805

■ TMEN R TYPE



RoHS 10
See page 2

RoHS 10
Yellow Nylon
See page 2

Non stock item

B

PART NUMBER	DIMENSIONS mm						WIRE RANGE		TOOL No.		STD COLOR	STD QTY/BOX						
	φ d2	B	L	F	H	φ D	STRANDED mm ²	AWG	HAND TOOL No.	DIES No.								
TMEN 0.3-2	○ 2.2	5.2	17.5	4.9	10.0	2.8	0.2~0.5	24-20	NH 5	NH 32	YELLOW TRANSLUCENT	1,000 (100×10)						
TMEN 0.3-3	○ 3.2		19.8	7.2														
TMEN 0.3-3N	○ 3.2		19.8	7.2														
TMEN 0.3-3.5	○ 3.7		20.5	7.2														
TMEN 0.3-4	○ 4.3		20.5	7.2														
TMEN 0.3-5	○ 5.3	8.0	21.0	7.0				NA 10 NA 3	N10 10 N3 5									
TMEN 1.25-2	○ 2.2	5.5	17.5	4.7	10.0	4.1	0.3 ∩ 1.65	22-16	NH 11 NH 32	RED TRANSLUCENT	1,000 (100×10)							
TMEN 1.25-2S	○ 2.2	5.7	17.4	4.5														
TMEN 1.25-3 (RBC 1.25-3)	● 3.2	5.5	17.5	4.7														
TMEN 1.25-3N	○ 3.2	5.6	20.4	7.6														
TMEN 1.25-3S	○ 3.2	5.7	17.4	4.5														
TMEN 1.25-3.5N	○ 3.7	5.6	20.4	7.6														
TMEN 1.25-3.5S	○ 3.7	5.7	17.4	4.5														
TMEN 1.25-3.5 (RBC 1.25-3.5)	● 3.7	6.6	18.8	5.5														
TMEN 1.25-3.5M	○ 3.7	6.8	19.4	6.0														
TMEN 1.25-3.5L	○ 3.7	8.0	21.1	7.1														
TMEN 1.25-4M	○ 4.3	6.8	19.4	6.0														
TMEN 1.25-4 (RBC 1.25-4)	● 4.3	8.0	21.1	7.1														
TMEN 1.25-5 (RBC 1.25-5)	● 5.3	8.0	21.1	7.1														
TMEN 1.25-6	○ 6.4	12.0	25.7	9.7											NA 10 NA 3	N10 11 N3 11		
TMEN 1.25-8	○ 8.4																	
TMEN 1.25-10	○ 10.5	16.5	30.5	12.2				NA 10 NA 3	N10 12 N3 12									
TMEN 2-2	○ 2.2	6.5	18.2	4.9	10.0	4.6	1.04 ∩ 2.63	16-14	NH 12 NH 32	BLUE TRANSLUCENT	1,000 (100×10)							
TMEN 2-3N	○ 3.2	5.6	20.4	7.6														
TMEN 2-3S	○ 3.2	5.7	17.8	4.9														
TMEN 2-3	○ 3.2	6.5	18.2	4.9														
TMEN 2-3.5N	○ 3.7	5.6	20.4	7.6														
TMEN 2-3.5NS	○ 3.7	6.5	18.2	4.9														
TMEN 2-3.5 (RBC 2-3.5)	● 3.7	6.6	19.9	6.6														
TMEN 2-3.5S	○ 3.7	6.6	20.9	7.6														
TMEN 2-3.5M	○ 3.7	8.0	21.5	7.5														
TMEN 2-4S	○ 4.3	6.6	19.9	6.6														
TMEN 2-4M	○ 4.3	8.0	21.5	7.5														
TMEN 2-4 (RBC 2-4)	● 4.3	8.5	22.0	7.7														
TMEN 2-5M	○ 5.3	8.0	21.5	7.5														
TMEN 2-5 (RBC 2-5)	● 5.3	9.5	22.5	7.7														
TMEN 2-6 (RBC 2-6)	● 6.4	12.0	27.0	11.0											NA 10 NA 3	N10 12 N3 12		
TMEN 2-8 (RBC 2-8)	● 8.4																	
TMEN 2-10	○ 10.5	15.0	30.0	12.5				NA 10 NA 3	N10 12 N3 12									
TMEN 2-12	○ 13.0	19.0	34.0	14.5				NA 10 NA 3	N10 12 N3 12									

NOTE

- 1) ● : JIS/UL/CSA ○ : UL/CSA
- 2) Refer to page 41 for UL/CSA, insulator material/color, proper strip length of wire and Nylon insulated products.
- 3) JIS part No. is shown in parenthesis.