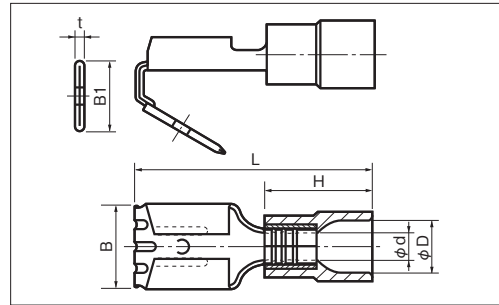


QUICK-DISCONNECTS

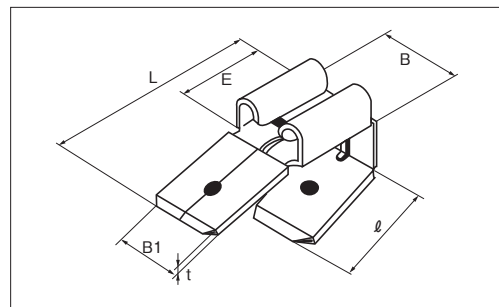
TMEDV : Vinyl



RoHS10
See page 2

PART NUMBER	DIMENSIONS mm							WIRE RANGE		TOOL No.		STD COLOR	STD QTY/BOX
	B	B1	L	φd	φD	H	t	STRANDED mm ²	AWG	HAND TOOL No.			
										TOOL BODY No.	DIES No.		
TMEDV 630809-V	6.9	6.35	22.0	1.85	4.1	10.0	0.8	0.75~1.25	18-16	NA 10 NA 3	NH 11 NH 32 N10 11 N3 11	RED	1,000 (100×10)
TMEDV 630820-V	6.9	6.35	22.0	2.55	4.5	10.0	0.8	2.0	14	NA 10 NA 3	NH 12 NH 32 N10 12 N3 12	BLUE	1,000 (100×10)

NOTE 1) Refer to page 74 for proper strip length of wire.
2) TMD & TMDEN Types are also available , see page 75.



RoHS10
See page 2

PART NUMBER	DIMENSIONS mm						TOOL No.		STD QTY/BOX
	B	B1	L	t	ℓ	E	TOOL BODY No.	DIES No.	
63V	6.9	6.35	18.3	0.8	9.0	7.5	—	—	1,000