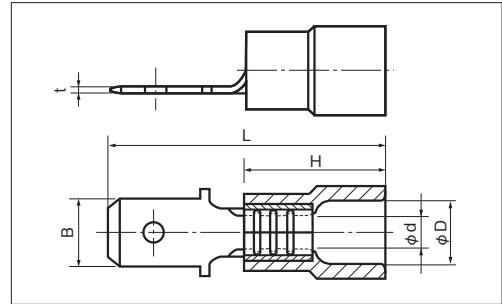
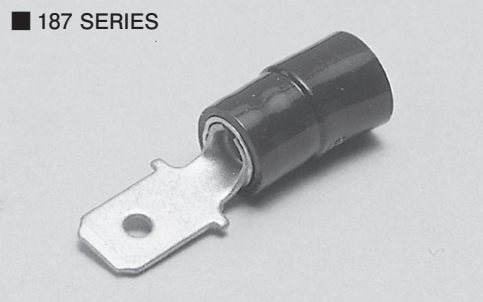


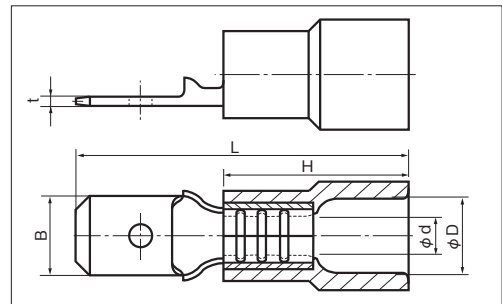
QUICK-DISCONNECTS

TMEDV : Vinyl



RoHS10
See page 2

PART NUMBER	DIMENSIONS mm						WIRE RANGE		TOOL No.		STD COLOR	STD QTY/BOX
	B	L	t	ϕd	ϕD	H	STRANDED mm ²	AWG	HAND TOOL No.	DIES No.		
TMEDV 480520-M ○	4.8	19.5	0.5	2.2	4.5	10.0	2.0	14	NA 10 NA 3	NH 12 NH 32 N10 12 N3 12	BLUE	1,000 (100×10)



RoHS10
See page 2

PART NUMBER	DIMENSIONS mm						WIRE RANGE		TOOL No.		STD COLOR	STD QTY/BOX
	B	L	t	ϕd	ϕD	H	STRANDED mm ²	AWG	HAND TOOL No.	DIES No.		
TMEDV 630809-M ○	6.35	21.0	0.8	1.85	4.1	10.0	0.75~1.25	18-16	NA 10 NA 3	NH 11 NH 32 N10 11 N3 11	RED	1,000 (100×10)
TMEDV 630820-M ○	6.35	21.0	0.8	2.55	4.5	10.0	2.0	14	NA 10 NA 3	NH 12 NH 32 N10 12 N3 12	BLUE	1,000 (100×10)
TMEDV 630855-M ○	6.35	25.0	0.8	3.65	6.8	14.0	3.5~5.5	12-10	NA 10 NA 3	NH 13 N10 13 N3 13	YELLOW	500 (100×5)

- NOTE 1) ○ : UL/CSA
 2) Refer to page 71 for UL/CSA, proper strip length of wire.
 3) TMD & TMDEN Types are also available, see page 72.