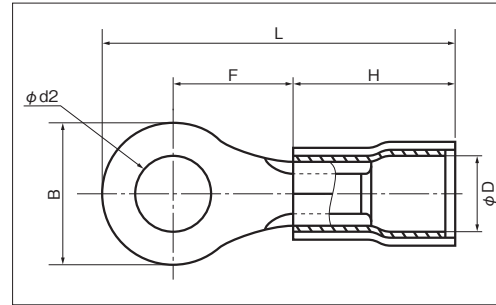
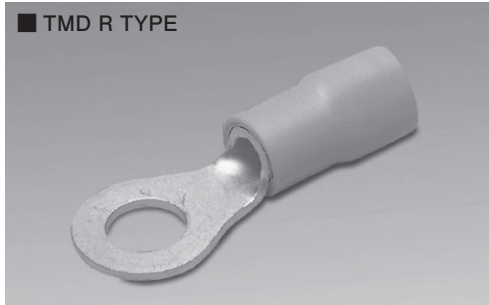


INSULATED RING TERMINALS WITH EXTRA COPPER SLEEVE (R TYPE)

TMDV : Vinyl



B

RoHS 6
See page 2

Non stock item

PART NUMBER	DIMENSIONS mm						WIRE RANGE		TOOL No.		STD COLOR	STD QTY/BOX
	φ d2	B	L	F	H	φ D	STRANDED mm ²	AWG	HAND TOOL No.			
									TOOL BODY No.	DIES No.		
TMDV 5.5-3M ○	3.2	6.5	24.4	7.2	14.0	6.0	2.63 ∩ 6.64	12-10	NH 13		YELLOW	100
TMDV 5.5-3N ○		7.0	24.7									
TMDV 5.5-3S ○		9.0	25.7									
TMDV 5.5-3.5N ○	3.7	7.0	24.7									
TMDV 5.5-3.5S ○		9.0	25.7									
TMDV 5.5-3.5 ○		9.5	27.0	8.2								
TMDV 5.5-4N ○	4.3	7.0	24.7	7.2								
TMDV 5.5-4S ○		9.0	25.7									
TMDV 5.5-4 ○		9.5	27.0									
TMDV 5.5-5N ○	5.3	8.0	25.2	7.2								
TMDV 5.5-5S ○		9.0	25.7									
TMDV 5.5-5 ○		9.5	27.0									
TMDV 5.5-6 ○	6.4	12.0	30.5	10.5								
TMDV 5.5-8 ○	8.4	15.0	35.5	14.0								
TMDV 5.5-10 ○	10.5											
TMDV 5.5-12 ○	13.0											
TMDV 5.5-14 ○	15.0	19.2	40.0	16.4				NA 10	N10 23		50	

NOTE

- : UL/CSA
- Refer to page 41 for UL/CSA, proper strip length of wire.
- TMDEN Type is also available, see page 42.