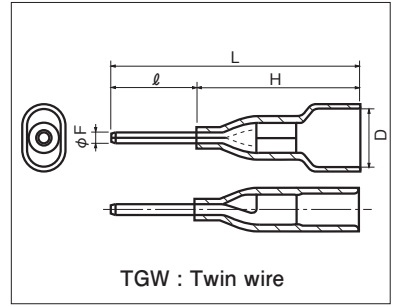
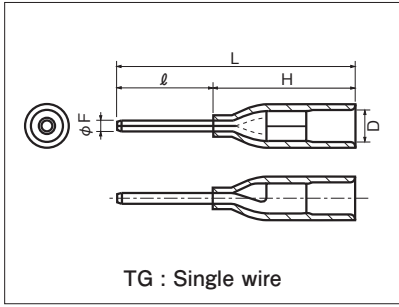


# INSULATED PIN TERMINALS (TC TYPE)

**TGV**  
**TGWV** : Vinyl  
**TMEV**

■ TGT Pin is in line with the center of the barrel.



**RoHS 10**

See page 2

Rated voltage 300V Rated current 17A

PART NUMBER	DIMENSIONS mm					WIRE RANGE		TOOL No.		STD COLOR	STD QTY/BOX
	$\phi F$	$\ell$	L	H	$\phi D$	STRANDED mm <sup>2</sup>	AWG	HAND TOOL No.	TOOL BODY No.   DIES No.		
<b>TGV TC-1.25-9T</b>	1.1	9.0	25.0	16.0	$\phi 3.6$	0.3 ~ 1.65	22-16	(NH 11/NH 32) NH 65B NH 65C		RED TRANSLUCENT	100
<b>TGV TC-1.25-11T</b>		11.0	27.0					NA 3   N3 11T NA 10   N10 11			
<b>TGWV TC-1.25-9T</b>		9.0	26.6	17.6	6.6			NH 65B NH 65C			
<b>TGWV TC-1.25-11T</b>		11.0	28.6								