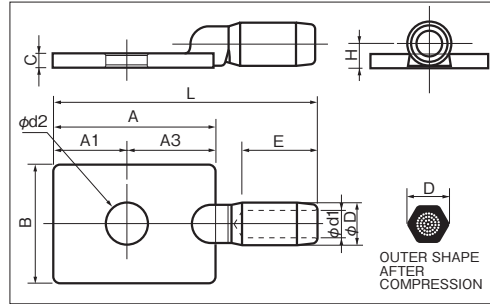
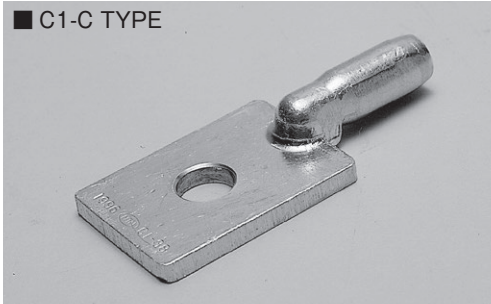


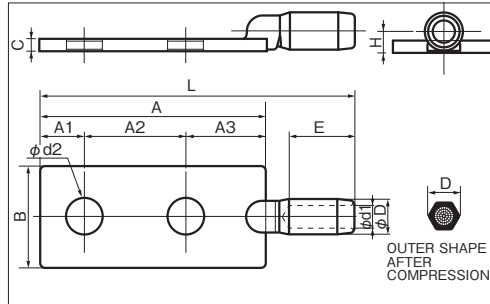
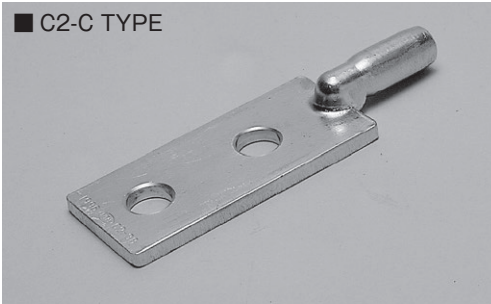
COMPRESSION TERMINALS (For Compressed copper stranded wire)

■ C1-C TYPE



PART NUMBER	DIMENSIONS mm											BOLT SIZE	APPLIED WIRE	VERTEX DISTANCE OF HEXAGONAL DIES	TOOL No.		STD QTY/BOX
	phi D	phi d1	E	A	A1	A3	B	C	phi d2	L	H		STRAND OUTER DIAMETER mm		PUMP	HEAD	
C1-14C	14	4.8	26	55	25	30	40	5	14	90	8	M12×1	4.4	14	NOM 2500A NOM 3000	NP 520 NP 1000	5
C1-22C		5.9											5.5				
C1-38C		7.8											7.3				
C1-60C	19	9.8	30	94	10.5	9.3	19										

■ C2-C TYPE



PART NUMBER	DIMENSIONS mm												BOLT SIZE	APPLIED WIRE	VERTEX DISTANCE OF HEXAGONAL DIES	TOOL No.		STD QTY/BOX
	phi D	phi d1	E	A	A1	A2	A3	B	C	phi d2	L	H		STRAND OUTER DIAMETER mm		PUMP	HEAD	
C2-14C	14	4.8	26	90	18	32	40	5	14	125	8	M12×2	4.4	14	NOM 2500A NOM 3000	NP 520 NP 1000	3	
C2-22C		5.9											5.5					
C2-38C		7.8											7.3					
C2-60C	19	9.8	30	6	135	11.0	9.3	19										
C2-100C	23	12.6	39	95	20	40	35	8	14	150	13.0	M12×2	12.0	23	NOM 2500A NOM 3000	NP 520 NP 1000	3	
C2-125C	26	14.1											14.5					
C2-150C	29	15.4											16.0					
C2-200C	32	17.9	17.5															
C2-240C	36	19.4	62	110	25	45	50	10	14	207	20.5	M12×2	18.5	36	NOM 2500A NOM 3000	NP 520 NP 1000	3	
C2-250C	38	19.9											19.0					
C2-325C	42	22.7											21.7					
C2-400C	47	25.2	70	115	50	12	222	25.5	14	212	23.0		M12×2	24.1	47	NOM 2500A NOM 3000		NP 520 NP 1000
C2-500C		28.0										26.9						

- NOTE
- 1) Conductive face is tin lead plated.
 - 2) Special requests can be made such as; without stud holes, all tin plated surface.
 - 3) Special sizes are also available such as , IEC wires.
 - 4) Use strand with diameter of or over 1mm.
 - 5) Do not use wires such as KIP, MLFC, LH, PNCT and PDP in JIS.