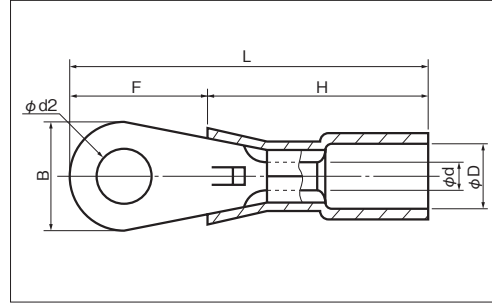
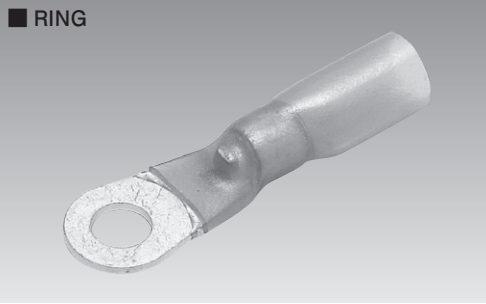


HEAT-SHRINKABLE RINGS & BUTTS

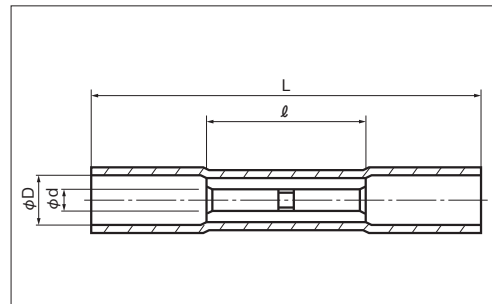
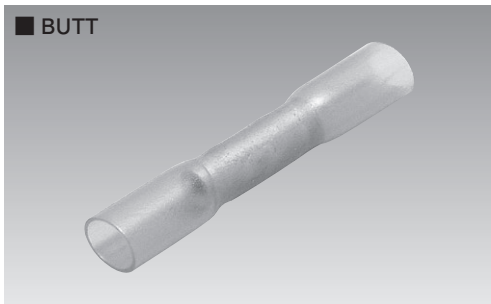


RoHS10
See page 2

B

| PART NUMBER | DIMENSIONS mm | | | | | WIRE RANGE | | TOOL No. | STD COLOR | STD QTY/BOX | | |
|---------------------|---------------|-----|------|------|------|------------|----------|--------------|-----------|-------------|-----------------------|------------------|
| | $\phi d2$ | B | L | F | H | ϕD | ϕd | | | | mm ² | AWG |
| SR 1.25-3C | 3.2 | 5.5 | 25.3 | 7.0 | 16.5 | 4.2 (MIN) | 1.7 | 0.75 1.25 | 18-16 | NH 82A | Red Translucent | 1000 (100×10) |
| SR 1.25-3.5C | 3.7 | 6.6 | 25.8 | 8.0 | | | | | | | | |
| SR 1.25-4C | 4.3 | 8.0 | 26.5 | 9.0 | | | | | | | | |
| SR 1.25-5C | 5.3 | | 26.5 | 10.0 | | | | | | | | |
| SR 2-3C | 3.2 | 5.5 | 25.8 | 7.5 | 17.0 | 4.9 (MIN) | 2.3 | 2.0 | 14 | NH 82A | Blue Translucent | 1000 (100×10) |
| SR 2-3.5C | 3.7 | 6.6 | 26.3 | 8.0 | | | | | | | | |
| SR 2-4C | 4.3 | 8.5 | 27.3 | 9.0 | | | | | | | | |
| SR 2-5C | 5.3 | 9.5 | 27.8 | 9.5 | | | | | | | | |
| SR 5.5-3C | 3.2 | 7.0 | 33.5 | 10.0 | 21.5 | 6.4 (MIN) | 3.4 | 5.5 | 10 | NH 82A | Yellow Translucent | 1000 (100×10) |
| SR 5.5-3.5C | 3.7 | | | | | | | | | | | |
| SR 5.5-4NC | 4.3 | | | | | | | | | | | |
| SR 5.5-4C | 4.3 | | | | | | | | | | | |
| SR 5.5-5C | 5.3 | | | | | | | | | | | |

NOTE 1) Dimension L · F · H shows minimum.



RoHS10
See page 2

| PART NUMBER | DIMENSIONS mm | | | | WIRE RANGE | | TOOL No. | | STD COLOR | STD QTY/BOX |
|----------------|---------------|-----------|----|------|-----------------|-------|----------|-----------------|-----------------------|------------------|
| | ϕd | ϕD | L | l | mm ² | AWG | Hand | Pneumatic | | |
| SB 2218 | 1.4 | 2.9 (MIN) | 25 | 11.5 | 0.3 0.5 | 22-20 | NH 82A | NA 3 (N3 15) | Yellow Translucent | 1000 (100×10) |
| SB 1816 | 1.8 | 4.2 (MIN) | 37 | 15.0 | 0.75 1.25 | 18-16 | NH 82A | NA 3 (N3 16) | Red Translucent | 1000 (100×10) |
| SB 1614 | 2.3 | 4.9 (MIN) | 37 | 15.0 | 2.0 | 14 | NH 82A | NA 3 (N3 16) | Blue Translucent | 1000 (100×10) |
| SB 1210 | 3.5 | 6.2 (MIN) | 42 | 15.0 | 5.5 | 10 | NH 82A | — | Yellow Translucent | 500 (100×5) |