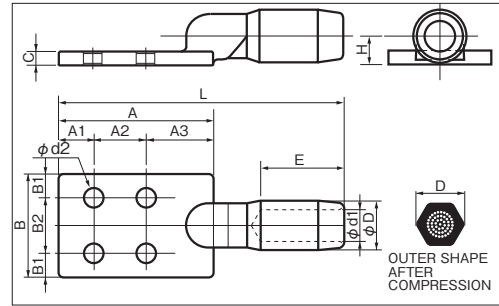
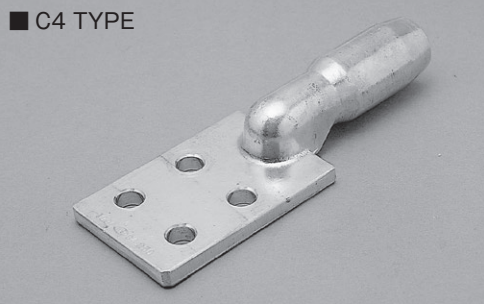
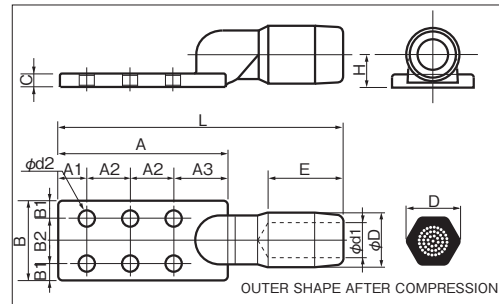
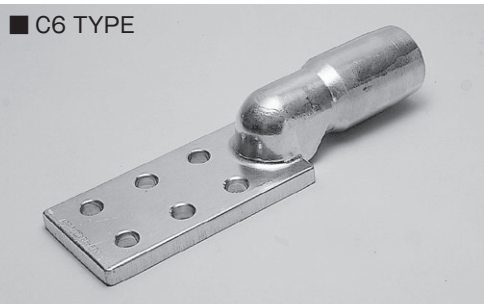


COMPRESSION TERMINALS (For Hard-drawn copper stranded wire)



PART NUMBER	DIMENSIONS mm													BOLT SIZE	APPLIED WIRE		VERTEX DISTANCE OF HEXAGONAL DIES	TOOL No.		STD QTY/BOX	
	phi D	phi d1	E	A	A1	A2	A3	B	B1	B2	C	phi d2	L		H	STRAND COMPOSITION Number of wires/mm		STRAND OUTER DIAMETER mm	PUMP		HEAD
C4-100	23	13.6	39										180	13	M12×4	19/2.6	13.0	23	NOM 2500A NOM 3000	NP 520 NP 1000	3
C4-150	29	16.9	44													37/2.3	16.1	29			
C4-200	32	19.5	53											10		185	17.5	32			
C4-250	38	21.9	62	115	25	40	50	75	17.5	40		14	20.5			61/2.3	20.7	38			
C4-325 ◆	42	24.7												212			61/2.6	23.4			
C4-400 ◆	47	27.4	70										23.0			61/2.9	26.1	47			
C4-500 ◆	30.2											12	222	25.5			61/3.2	28.8			



PART NUMBER	DIMENSIONS mm													BOLT SIZE	APPLIED WIRE		VERTEX DISTANCE OF HEXAGONAL DIES	TOOL No.		STD QTY/BOX	
	phi D	phi d1	E	A	A1	A2	A3	B	B1	B2	C	phi d2	L		H	STRAND COMPOSITION Number of wires/mm		STRAND OUTER DIAMETER mm	PUMP		HEAD
C6-600 ◆	51	33.3	70	155	25	40	50	75	17.5	40		14	262	28.0	M12×6	91/2.9	31.9	51	NOM 2500A NOM 3000	NP 1000	1
C6-725 ◆		36.7															91/3.2	35.2			
C6-800	56	38.0	90	190	30	50	60	100	25.0	50		18	325	30.5	M16×6	127/2.8	36.4	56			
C6-850 ◆		39.3																			
C6-1000 ◆	64	43.2	100									14	335	34.5		127/3.2	41.6	64			

NOTE

- 1) Conductive face is tin lead plated.
- 2) ◆ : JIS
- 3) Special requests can be made such as; without stud holes, all tin plated surface.
- 4) Special sizes are also available such as, for IEC wires.
- 5) Use strand with diameter of or over 1 mm.
- 6) Do not use wires such as KIP, MLFC, LH, PNCT and PDP in JIS.

Remarks

Two standardized wire acceptance diameter $\phi d1$ allows to select compression terminal easily.
Some diameters have same square mm.

