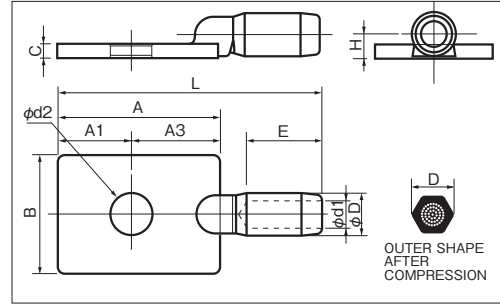
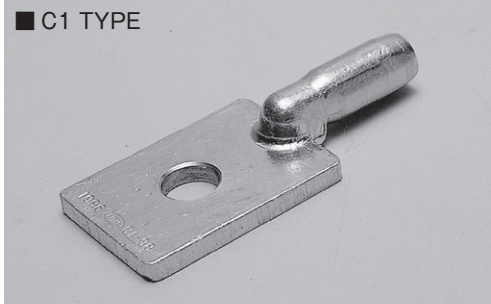


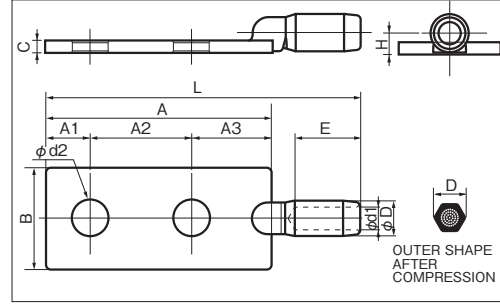
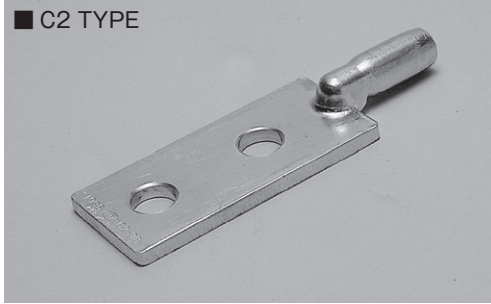
COMPRESSION TERMINALS (For Hard-drawn copper stranded wire)

■ C1 TYPE



PART NUMBER	DIMENSIONS mm											BOLT SIZE	APPLIED WIRE		VERTEX DISTANCE OF HEXAGONAL DIES	TOOL No.		STD QTY/BOX
	ϕD	$\phi d1$	E	A	A1	A3	B	C	$\phi d2$	L	H		STRAND COMPOSITION Number of wires/mm	STRAND OUTER DIAMETER mm		PUMP	HEAD	
C1-14		5.2																
C1-22 ◆	14	6.4	26	55	25	30	40	5	14	90	8	M12×1	7/1.6	4.8	14	NOM 2500A NOM 3000	NP 520 NP 1000	3
C1-38 ◆		8.3											7/2.0	6.0				
C1-60 ◆	19	10.6	30							94	10.5		7/2.6	7.8				
													19/2.0	10.0	19			

■ C2 TYPE



PART NUMBER	DIMENSIONS mm											BOLT SIZE	APPLIED WIRE		VERTEX DISTANCE OF HEXAGONAL DIES	TOOL No.		STD QTY/BOX
	ϕD	$\phi d1$	E	A	A1	A2	A3	B	C	$\phi d2$	L		H	STRAND COMPOSITION Number of wires/mm		STRAND OUTER DIAMETER mm	PUMP	
C2-14		5.2																
C2-22	14	6.4	26						5		125	8	M12×2	7/1.6	4.8	14		
C2-38		8.3		90	18		32	40						7/2.0	6.0			
C2-55 ◆		10.2							6		135	11.0		7/2.6	7.8			
C2-60 ◆	19	10.6	30											7/3.2	9.6	19		
C2-75 ◆		11.7												19/2.0	10.0			
C2-100 ◆	23	13.6	39	95	20		35		8		150	13.0		7/3.7	11.1	23		
C2-125 ◆	26	15.2				40						14.5		19/2.6	13.0	26	NOM 2500A NOM 3000	NP 520 NP 1000
C2-150 ◆	29	16.9	44							14	170	16.0		19/2.9	14.5	29		
C2-180 ◆		18.5												37/2.3	16.1			
C2-200 ◆	32	19.5	53	110			45	50		10	180	17.5		19/3.5	17.5	32		
C2-240 ◆	36	21.0												37/2.6	18.2			
C2-250 ◆	38	21.9	62	25							207	20.5		19/4.0	20.0	36		
C2-325	42	24.7												61/2.3	20.7	38		
C2-400	47	27.4												61/2.6	23.4	42		
C2-500		30.2												61/2.9	26.1	47		
														61/3.2	28.8			

NOTE

- 1) Conductive face is tin lead plated.
- 2) ◆ : JIS
- 3) Special request can be made such as; without stud holes, all tin plated surface.
- 4) Special sizes are also available such as, for IEC wires.
- 5) Use strand with diameter of or over 1mm.
- 6) Do not use wires such as KIP, MLFC, LH, PNCT and PDP in JIS.