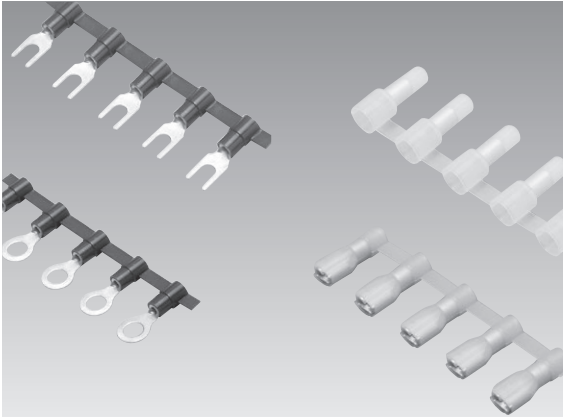


INSULATED CHAIN TERMINALS (ICT)



SPECIFICATION

- **MATERIAL** : Terminal/Sleeve : Oxygen free copper (Electro-tin-plated)
Disconnect : Brass(Electro-tin-plated)
Insulator : Vinyl/Nylon
- **RATED VOLTAGE** : 300V
- **RATED CURRENT** : Please see amperage rating table for insulated wires. Page 148.
- **INSULATOR TEMPERATURE** : - 40°C~+ 75°C Vinyl
- 40°C~+ 105°C Nylon

ICT FEATURES

CONNECTED INSULATED TERMINAL

Each terminal has a fixed distance which enables to crimp continuously

EASY CRIMP

Chain terminal comes on a reel, terminal is fed automatically to the correct position in the dies.

With an optional sensor, insert the wire for automatic crimp.

QUALITY CRIMP

ICT crimping gets a consistent quality crimp

STANDARDS(Terminal & Sleeve)

- Japanese Industrial Standards, JIS C2805
- UL486A-486B(File No. E44245)
- CSA C22.2(File No. LR-28418)

STANDARDS(Quick Disconnect)

- UL310 (File No. E78965)
- CSA C22.2 No. 153 (File No. LR-28418)

STANDARDS(Closed end connector)

- UL486C (File No. E44245)
- CSA C22.2 No. 188 (File No. LR-28418)

FOR SAFETY USE

Please observe the following points to prevent over heat and possible fire.

- Copper wire only.
- Use our recommended applicator/machine.
- Use with specified wire range.

(NOTE)

APPLICABLE WIRE

Wire range and performance ratings comply with JIS standards wire (IV,KIV,VSF)

INSULATOR/COLOR

STANDARD COLOR				
	ICT0.3/0.5	ICT1.25	ICT2	ICT5.5
VINYL	Yellow	Red	Blue	Yellow
NYLON	Yellow translucent	Red translucent	Blue translucent	Yellow translucent

WIRE STRIP LENGTH

Strip length should be approx. 2mm longer than crimp barrel length. (Conductor should come out 1mm from crimp barrel.)

NYLON PRODUCTS

Consume as soon as possible, store carefully it accepts influence of temperature & humidity.

STRUCTURE OF OUR PART NUMBER

