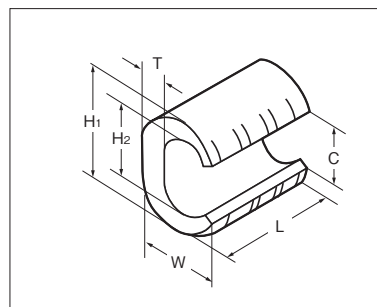
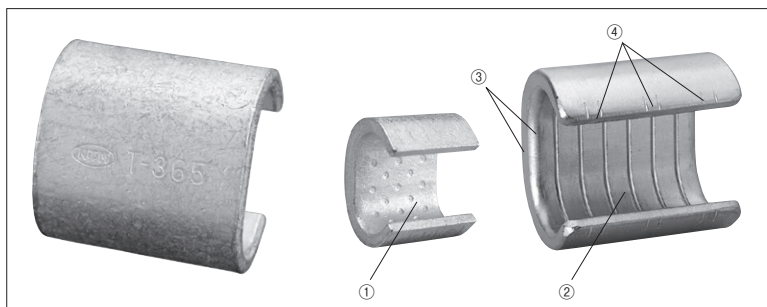


CLAMP CONNECTORS



FEATURES

- Dimpled ^① or serrated ^② to obtain high pull-out value.
- Chamfered edges ^③ designed to protect the wire.
- Stamped lines ^④ show proper crimp dies position.

RoHS10

See page 2

PART NUMBER	DIMENSIONS mm						NUMBER OF CRIMP	COMBINED WIRE RANGE (mm ²)	TOOL No.		STD QTY/BOX
	C	H2	H1	L	W	T			PUMP	HEAD	
T 7	3	5.2	7.6	10.0	5.2	1.2	2	3.5~7	NH 25A	100	
T 11	4.3	6.7	10.3	12.0	6.7	1.7		7.5~11			
T 16	5.0	7.8	11.5	13.0	8.5	2.0		11.5~16			
T 20	5.1	8.6	12.8	13.0	9.7	2.9	1	14~20	NOP 120 (Hydraulic tool)		
T 26	6.9	10.2	14.7	16.0	11.4	3.2		21~26			
T 44	8.4	13.4	19.2	19.8	13.8	4.0	27~44				
T 60	9.7	15.8	21.0	21.8	15.0		2	45~60			
T 76	10.2	17.3	24.4		17.6	5.0		61~76			
T 98	13.2	20.0	27.5	25.0	19.2	5.5	77~98	NP 520			60
T 122	14.6	22.1	29.5	26.0	21.5						
T 154	15.5	24.6	33.2	27.6	23.4	6.0	123~154	NOM 3000 NOH 360	30		
T 190	20.3	28.8	37.5	35.0	25.7		155~190				
T 240	20.2	31.0	41.0	40.0	29.0	7.0	191~240			20	
T 288	23.2	35.7	45.6	45.0	32.0		241~288				
T 365	23.3	37.0	47.5	50.0	35.0		289~365				
T 450	28.0	43.0	57.0	60.0	41.0	10.0	366~450	NOM 3000 NP 520	5		
T 560	31.0	46.0	62.0	65.0	45.0	11.0	451~560				
T 700	34.0	51.0	68.0	70.0	49.5	12.0	561~700				

* See next page for Wire combinations.