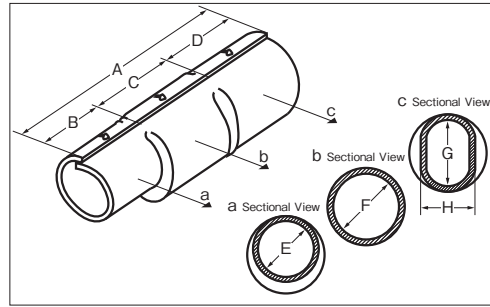
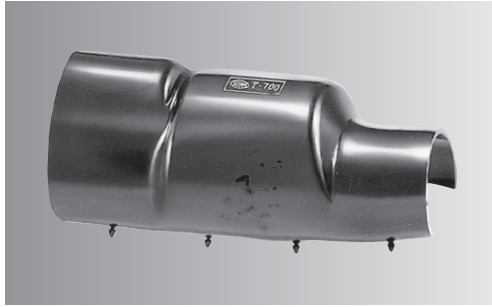


CLAMP CONNECTOR COVERS



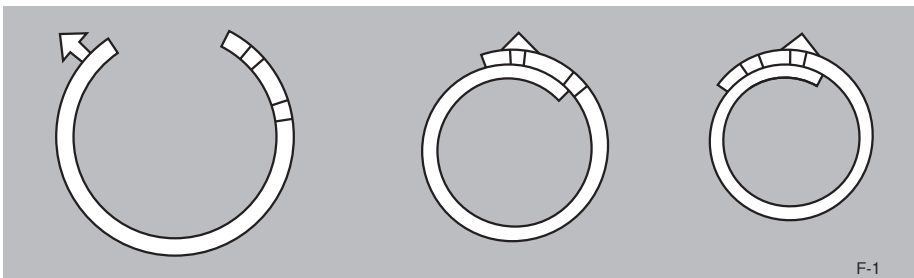
RoHS 10
See page 2

Unit mm

PART NUMBER	A	B	C	D	E	F	G	H	t	STD QTY/BAG
T 20C *	83	29	19	35	14	16.5	16.5	14	1.5~2.0	100
T 26C	85		21		16	18	18	16		
T 44C	89		25		20	22	22	20		
T 60C	93		29		21	25	25	21		
T 76C					23	27	27	23		
T 98C	100		31		40	50	24	29		
T 122C	103	34		31			31	32		
T 154C	106	37		33			33		24.5	
T 190C	127	45		28.5			35	35	28.5	
T 240C	144	44	50	50	32	38	38	32	2~2.5	20
T 288C	148	43	55			40	40	35.5		
T 365C	151	44	57			35.5	44			
T 450C	175	50	65	60	39	52	59	39	2~2.5	10
T 560C	190	55	70	65	42	56	67	42		
T 700C	205	60	75	70	45	62	72	45		

* T20C is a cover for P/N T11, T16 and T20

- **FEATURES :**
1. Quickly snaps on and off.
 2. For better fitting the O.D., use appropriate snap hole. (F- 1)



- **RATED VOLTAGE** : 600V
- **MATERIAL** : P.V.C.
- **RATED TEMPERATURE** : 60°C
- **COLOR** : Black

NOTE

- 1) Use in a box.
- 2) Not water tight.
- 3) For further fixation, wrap vinyl tape around the cable and cover.
- 4) NICHIFU designed covers.