

# ABP2-HP1 Series

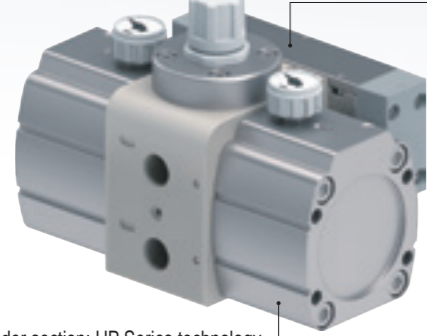
Generates high-pressure air double the primary pressure with no power supply

Leverages existing compressed air equipment  
 Boosts necessary areas to contribute to factory energy savings  
 Long service life components  
 Reduce total cost of plant

## Long service life

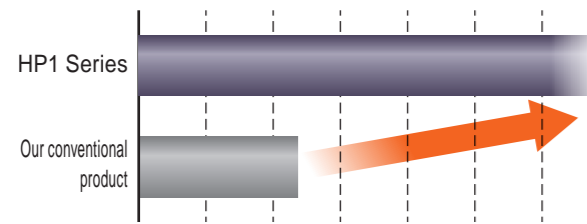
The design of the packing part of the cylinder has been optimized, and the long-life 4G Series valve has been adopted, achieving more than twice the durability of conventional products. Valve: 4G4 master valve

2x or more previous models



- Cylinder section: HP Series technology
- Abrasion-resistant packing due to special compounding
  - Long service life grease
  - Optimized sealing function

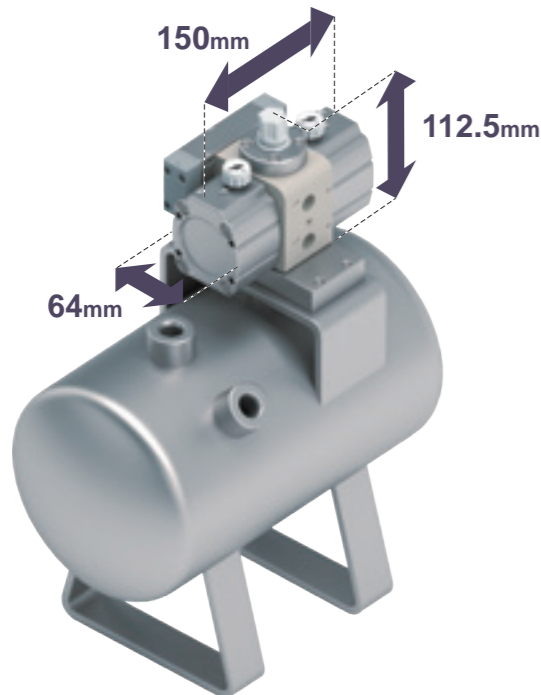
### Operational cycle



## Air tank

Can be compactly mounted with air tank. The air tank can be selected from 2 sizes, 5L and 10L.

2 air tank sizes available



## High reliability

Uses proprietary technology of our conventional ABP-12 product to achieve stable operation.

## Low noise

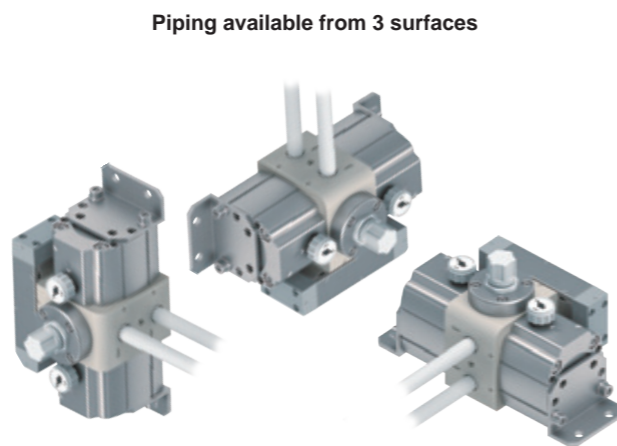
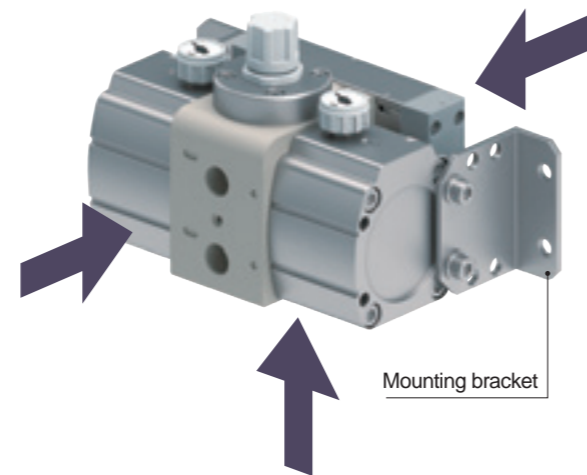
By eliminating metal collisions, we have realized a 10dB reduction compared to conventional products. \*Subject to CKD measurement conditions.

10dB less than previous models

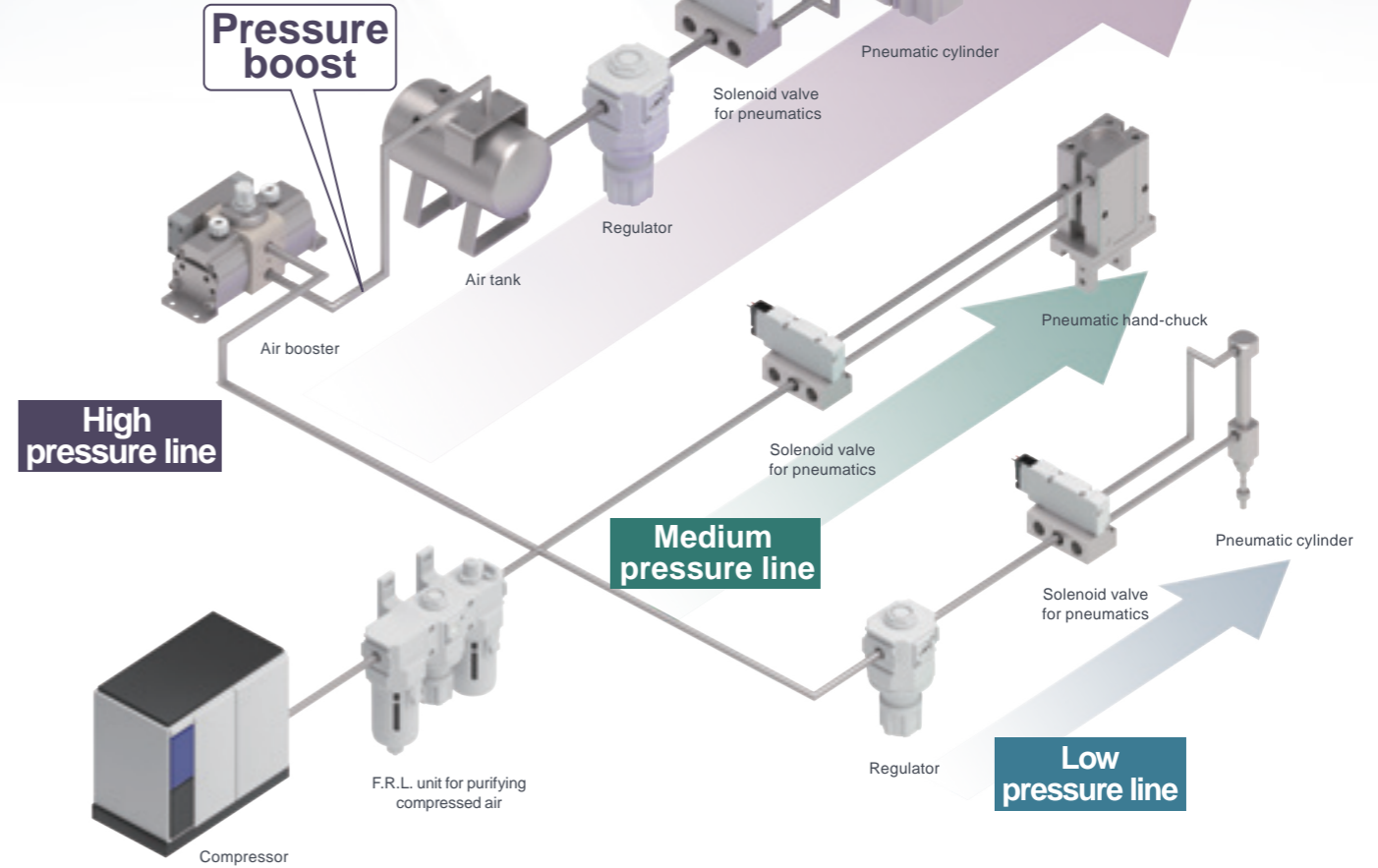
## Flexible mounting in any direction

Use brackets to add can be installed according to specifications. Select from 3 directions for pipe leadout.

3 directions available for pipe leadout



Flexible installation



## Case Study

● Increased gripping power with the robot hand



● Increased cylinder thrust in narrow sections

